



Industrial signal light specially designed for tower and harbour cranes. Sturdy and reliable, it features a high degree of customization.

## FEATURES

- Sturdy industrial signal light suitable for tower and harbour cranes.
- It features two to four Universal Signal Beacons and a Wall-Mounted Siren.
- Specially designed to guarantee excellent long-distance visibility.
- Featuring polycarbonate lenses and an ABS housing mounted on an aluminium plate.
- IP protection degree: the industrial signal light is classified IP65.
- Extreme temperature resistance: -20°C to +50°C.
- All materials and components used are wear resistant and guarantee protection of the unit against water and dust.

## OPTIONS

- Possibility to switch the light modes by pressing a specific button on the switch board.
- Featuring customizable plate and configuration.
- Available with continuous or intermittent sound siren, or without.

## CERTIFICATIONS

- CE marking.



## CERTIFICATIONS

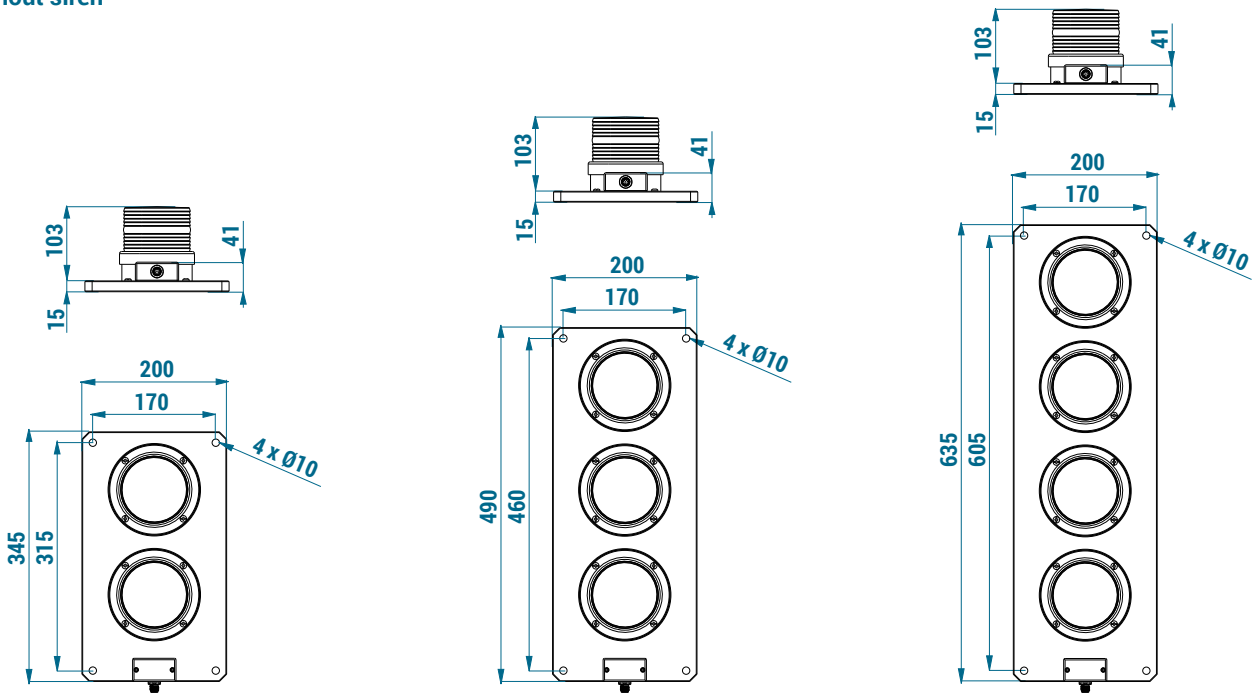
Conformity to Community Directives	2014/35/UE Low Voltage Directive
Conformity to CE Standards	EN 60598-1 Luminaires - General requirements and tests
	EN 60529-1 Degrees of protection provided by enclosures
Markings and homologations	CE

## GENERAL TECHNICAL SPECIFICATIONS

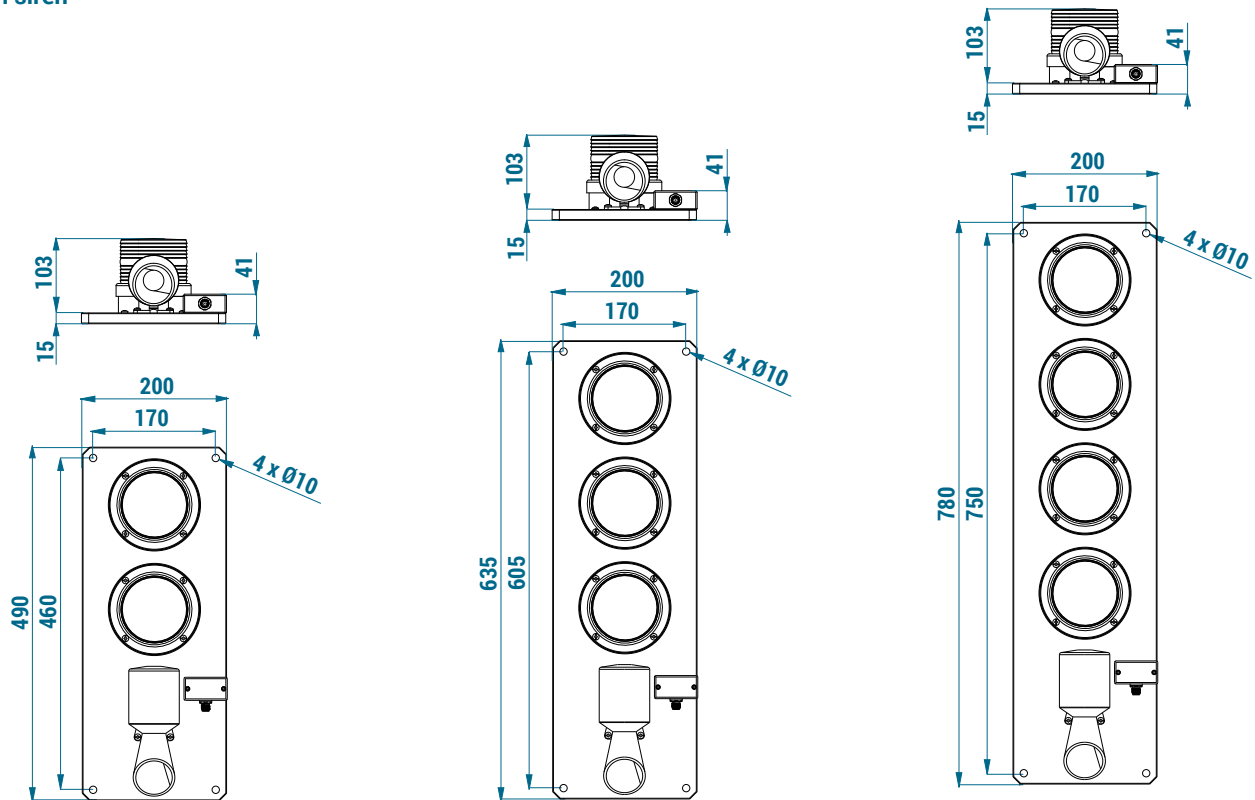
Ambient temperature	Operational -20°C/+50°C
IP protection degree	IP 65
	Lens: Polycarbonate
Materials	Housing: ABS
	Plate: aluminium
Lens diameter	90 mm
LED module type	5 x 3 W Power LED
LED life duration	50.000 hrs
Power supply	12 - 24 V AC/DC
	85 - 250 V AC/DC
Current max	660 mA
Light colours	White, red, yellow, green
Light modes	Steady, flashing, strobing, rotary
Sound	2 sounds
Volume	121 dB (10 cm) - 100 dB (100 cm)
Light changing button	Yes
Connections	M12 male connector - 5 PIN
	M12 male connector - 8 PIN (signal light with 4 lights + siren)

## OVERALL DIMENSIONS (mm)

Without siren

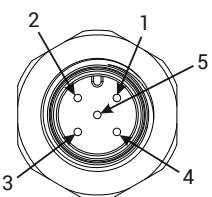


With siren



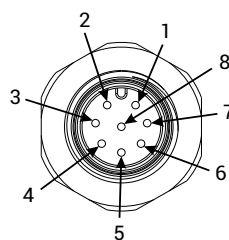
## CONNECTOR ASSIGNMENT (front view)

5 PIN connector



PIN	Description
1	12-24 Vac/dc - White light / Siren
2	12-24 Vac/dc - Red light
3	12-24 Vac/dc - 0 V
4	12-24 Vac/dc - Yellow light
5	12-24 Vac/dc - Green light

8 PIN connector (signal light with 4 lights + siren)



PIN	Description
1	12-24 Vac/dc - Siren
2	12-24 Vac/dc - Green light
3	12-24 Vac/dc - White light
4	12-24 Vac/dc - Red light
5	12-24 Vac/dc - Yellow light
6	Not used
7	Not used
8	0 V

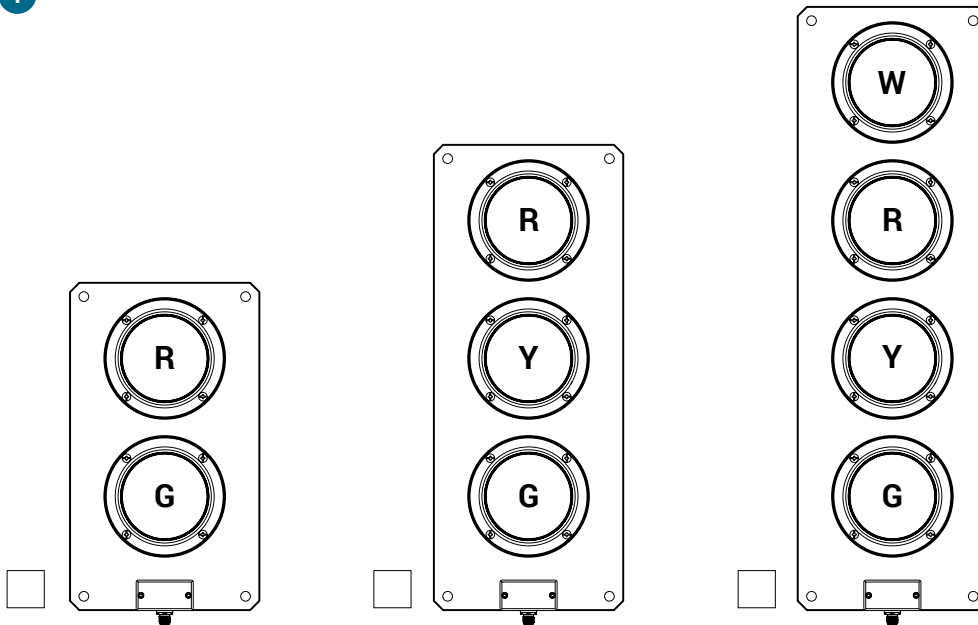
# INDUSTRIAL SIGNAL LIGHT - REQUEST FORM

## Instructions

- 1 Type:** select the required type.
- 2 Siren:** if the model with siren is required, indicate the type of sound desired.
- 3 Power supply:** select the type of power supply required.

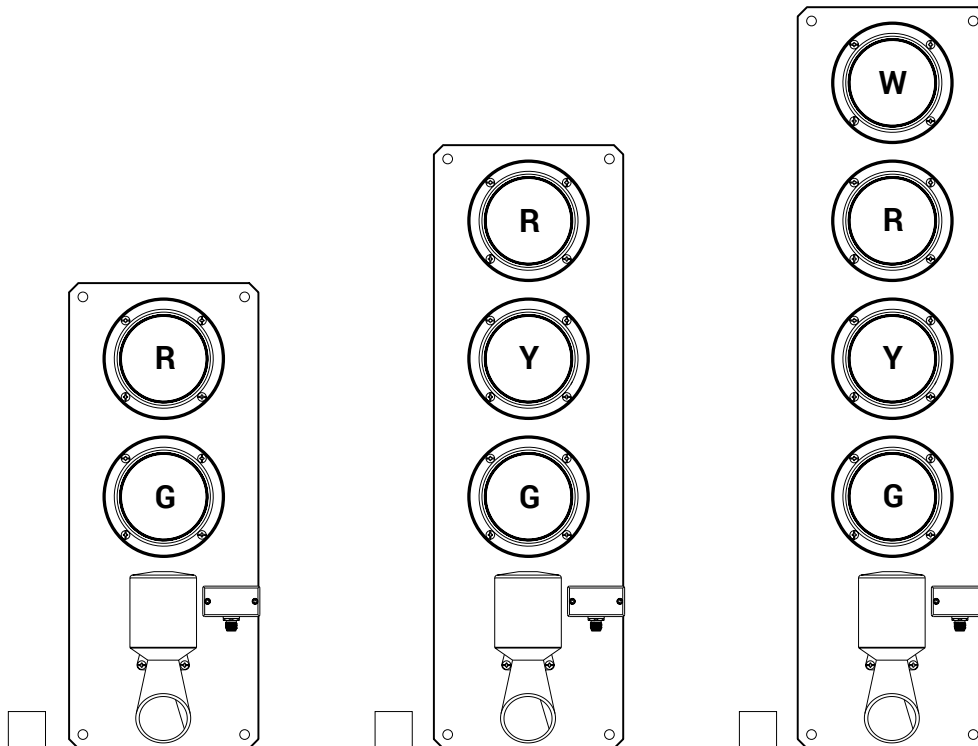
### Without siren **1**

- W White
- R Red
- Y Yellow
- G Green



### With siren

- W White
- R Red
- Y Yellow
- G Green



### Siren **2**

- Siren with continuous sound
- Siren with intermittent sound

### Power supply **3**

- 12 - 24 V AC/DC
- 85 - 250 V AC/DC